

INNOVATION LEADS TO VALUE



SWTH 3507

TELESCOPIC HANDLER



Standard functions

2-section boom	Quick coupler	Radio	Automatic leveling system of pallet fork
4-wheel drive	Air conditioning	HV function	Hydraulic hose burst protection system
Horn	Rear View Camera	Work light	FOPS/ROPS certified cab
Torque converter with Powershift gearbox	Off-road Pneumatic Tire	Electrically controlled handle	Driving Lamp
Anti-tip protection system	3 steering modes	Strobe Alarm lamp	Floating pallet fork
LCD instrument	USB interface		

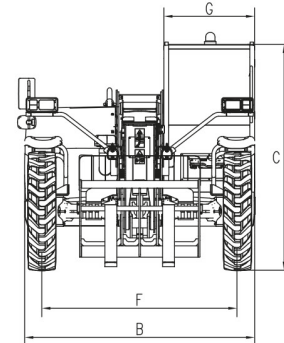
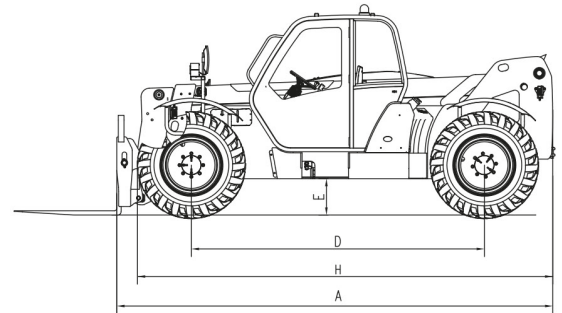
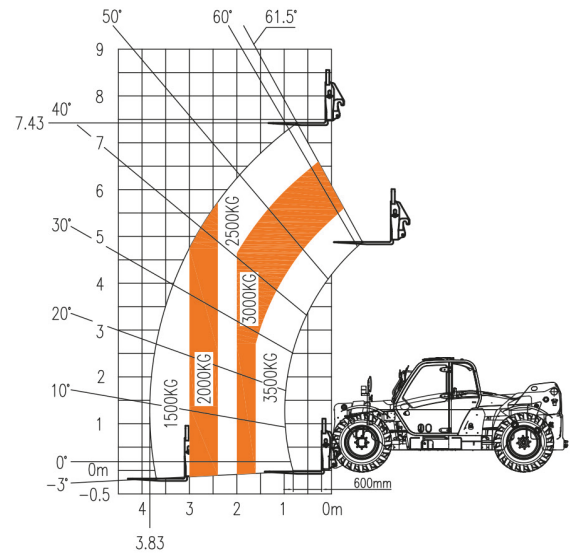
Optional Functions

Electrical expansion interface	Hydraulic expansion interface	Engine preheating device	Windshield protection grid
Blue light	Bucket	Roof protection frame	



Performance

Overall dimensions (L × W × H)		mm	6292x2410x2390
Basic parameters	Operating weight	kg	8300
	Maximum load capacity	kg	3500
	Maximum lifting height	m	7.43
	Maximum extension length	m	3.83
	Maximum load capacity at maximum reach	kg	1500
	Frame leveling angle	°	\
	Ground clearance	mm	440
	Outside turning radius	m	4.2
	Drawbar pull	kN	90
Performances (no load)	Boom raise time	s	12
	Boom lower time	s	10
	Boom retract time	s	6
	Boom extend time	s	9
Power train	Transmission		Hydraulic driven
	Number of gears (forward / reverse)		4/3
	Maximum travel speed	km/h	30
	Gradeability	%	60
Engine	Engine brand		Cummins
	Engine model		F3.8
	Engine rated power	kW	55
	Maximum torque	N.m	400
	Fuel injection system		Electronic injection
	Cooling system		Water cooling
System capacity	Hydraulic oil tank capacity	L	200
	Fuel tank capacity	L	155
	Engine oil capacity	L	12.2
	Engine coolant capacity	L	16
Pallet forks	Dimensions (L × W × H)	mm	1200x125x50
Tires	Specification		400/80-24



Dimensions

A	Length to fork carriage	mm	5090
B	Width	mm	2410
C	Height	mm	2390
D	Wheelbase	mm	3420
E	Ground clearance	mm	440
F	Track width	mm	2050
G	Cab width	mm	950
H	Length to front wheel	mm	4840

