

INNOVATION LEADS TO VALUE



SWE 50UF MINI EXCAVATOR

◆ Total weight: 5 480 kg

◆ Engine power: 29.7 kW / 2 200 rpm

◆ Bucket capacity: 0.14m³



◆ Comfortable and intelligent

The cab has a large field of vision, large space, and comfortable shock-absorbing seats; the 7-inch color touch screen can realize flow adjustment of crushing piping and attachment piping and intelligent control experience.

◆ Flexible construction

Zero-tail swing and boom deflection shall cope with the working conditions in narrow spaces. Side and corner operations can be successfully carried out, without frequent machine movement.

◆ Stable and reliable

There is a large undercarriage for higher stability. The machine can easily move on muddy roads through a large displacement travel motor.

◆ Convenient maintenance

Lubrication and maintenance can be completed in one posture. It is equipped with a full-open cover, easy to maintain.

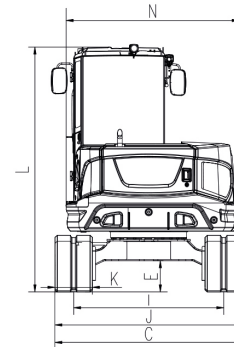
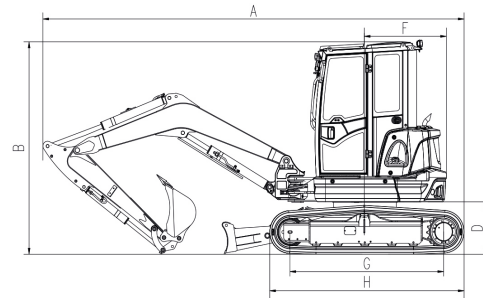
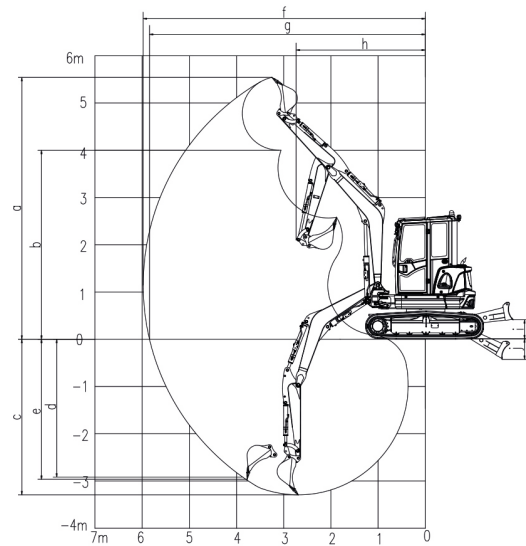
TECHNICAL PARAMETERS



SWE 50UF

Performance Parameters of Machine

Operating mass	kg	5 480	
Bucket capacity	m ³	0.14	
Engine	Brand	Kubota	
	Model	D1803-T	
	Rated power	kW/rpm	29.7 / 2 200
	Max. torque	N-m/rpm	150 / 1 500
	Displacement	L	1.8
Type of primary pump	Variable plunger pump		
Max. flow of primary pump	L/min	110	
System pressure	Mpa	25	
Swing speed	rpm	10	
Travel speed	km/h	3.8 / 2.3	
Bucket digging force	kN	34	
Arm digging force	kN	23	
Max. drawbar pull	kN	56	
Gradeability	%	70	
Ground pressure	kPa	31	
Capacity of fuel tank	L	70	
Capacity of hydraulic tank	L	70	



Working range

	Boom length	mm	2 700
	Arm length	mm	1 550
a	Max. digging height	mm	5 535
b	Max. dumping height	mm	3 955
c	Max. digging depth	mm	3 375
d	Digging depth (2.44 m, horizontal)	mm	2 920
e	Max. vertical digging depth	mm	2 965
f	Max. digging reach	mm	5 940
g	Max. ground digging reach	mm	5 845
h	Min. front swing radius	mm	2 825
i	Max. lift height of dozer blade	mm	400
j	Max. digging depth of dozer blade	mm	436

Outline dimensions

A	Total length	mm	5 435	H	Length of track	mm	2 490
B	Total height	mm	2 570	I	Track gauge	mm	1 600
C	Total width	mm	2 000	J	Track width	mm	2 000
D	Ground clearance of counterweight	mm	640	K	Track shoe width	mm	400
E	Min. ground clearance	mm	330	L	Max. height of cab	mm	2 570
F	Tail swing radius	mm	1 050	N	Upper-carriage width	mm	1 845
G	Ground contact length of track	mm	1 985				

◆ The above parameters may be different due to product upgrading.

